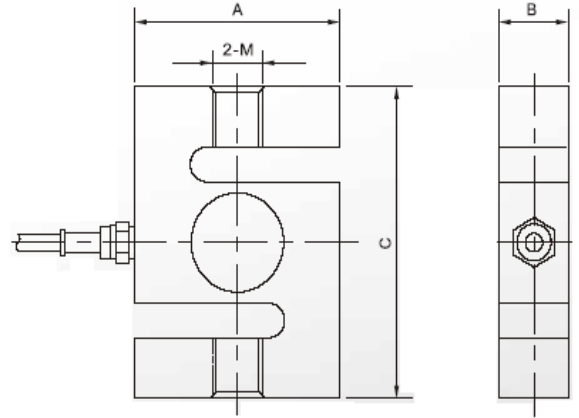


# Model LD 2565

S Type

Stainless Steel

S TYPE



## APPLICATION

Electromechanical Scales, Crane Scales, Tank, Bin and Hopper Weighing

## FEATURE

- Alloy Steel, Tension and Compression Type, IP67

## DIMENSIONS

| Rated Capacity                                  | A    | B    | C     | Thread     |
|---|------|------|-------|------------|
| <b>kg/mm</b>                                    |      |      |       | 2-M        |
| 5-50  | 51.0 | 13.0 | 64.0  | M8X1.25    |
| 100-500   | 51.0 | 19.1 | 76.0  | M12X1.75   |
| 1000-2000                                       | 54.0 | 25.4 | 76.0  | M12X1.75   |
| 2500-5000                                       | 76.0 | 25.4 | 108.0 | M18X1.5    |
| <b>Lb /Inches (Conversion above dimensions)</b> |      |      |       |            |
| 10-100  | 2.01 | 0.51 | 2.52  | M0.31X0.04 |
| 200-1000  | 2.01 | 0.75 | 3.00  | M0.47X0.06 |
| 2000-4500                                       | 2.13 | 1.0  | 3.00  | M0.47X0.06 |
| 5500-11000                                      | 3.00 | 1.0  | 4.26  | M0.71X0.05 |

| SPECIFICATION                 |             |                              |                    |
|-------------------------------|-------------|------------------------------|--------------------|
| Rated Output                  | 3.0 mV/V    | Creep (30minutes)            | ±0.02%FS           |
| Non-linearity                 | ± 0.02%FS   | Zero Balance                 | ± 1.00%FS          |
| Hysteresis                    | ± 0.02%FS   | Temperature effect on zero   | ± 0.02%FS/10C°     |
| Repeatability                 | ± 0.01 % FS | Temperature effect on output | ± 0.02%FS/10C°     |
| Input Resistance Ω            | 385 ± 10    | Output Resistance Ω          | 350 ± 3            |
| Insulation Resistance         | ≥5000 MΩ    | Excitation Voltage           | 10V(DC/AC)         |
| Compensated Temperature Range | -10C°~+40C° | Operating Temperature Range  | 20C°~+60C°         |
| Cable Length                  | 16.4ft / 5M | Cable Color Code             | + Excitation Red   |
| IP                            | 67          |                              | - Excitation Black |
| Safe Overload                 | 120%FS      |                              | + Signal Green     |
|                               |             |                              | - Signal White     |