

Model LD 3670D

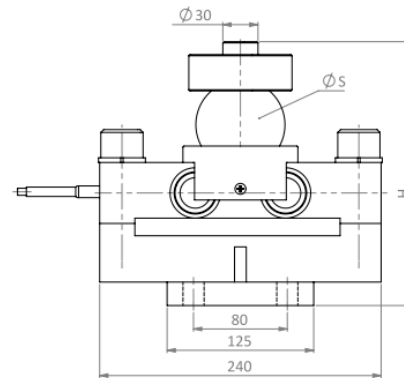
Double Ended

ALLOY STEEL

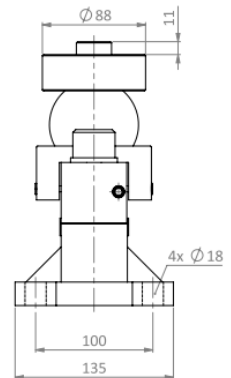
DOUBLE ENDED



10t – 40t Front View



Side View



APPLICATION

Suitable for Truck Scales, Railroad Track Scales, Tank, Bin and Hopper Weighing

FEATURE

Alloy Steel, Environment IP 68, High Overload Tolerance, Electro less Nickel Plated

DIMENSIONS

Rated Capacity	L	L1	L2	H	H1	H2	Ø	Ø1	W	W1	T	T1
t/mm 10-20-30-40	240	125	80	225	11	20	88	30	135	100	4Ø18	2-M24
Lb/Inches (Conversion of above dimension)												
20,000-45000	9.44	4.92	3.14	8.85	0.43	0.78	3.46	1.18	5.3	3.93	0.15Ø	0.70
65000-85000												

SPECIFICATION

Accuracy Class	OIML R60 C3	Output Sensitivity (= FS)	2.0 ± 0.002 mV/V
Max. Number of Load Cell Intervals	3000 nLC	Combined Error	± 0.02 %FS
Ratio of min. LC Verification Interval	7500 Y = Emax / vmin	Creep Error (30 minutes)	± 0.02 %FS
Temperature Effect on Zero (ZTC)	%FS/10°C ≤ ± 0.02	Temperature Effect on Sensitivity (STC)	%FS/10°C ≤ ± 0.02
Zero Balance	± 1.5 %FS	Excitation, Recommended Voltage	5 ~ 12 V
Safe Overload	150 %FS	Excitation, Maximum Voltage	8 V
Ultimate Overload	300 %FS	Input Resistance	700 ± 7 Ω
Compensated Temperature	-10 ~ + 40 °C	Output Resistance	703 ± 4
Operating Temperature	-35 ~ + 65 °C	Cable Color Code	+ Excitation Red
Storage Temperature	-40 ~ + 70		- Excitation Black
Storage Temperature	-40 ~ + 70		+ Signal Green
			- Signal White